

FIXED ARM MOUNT

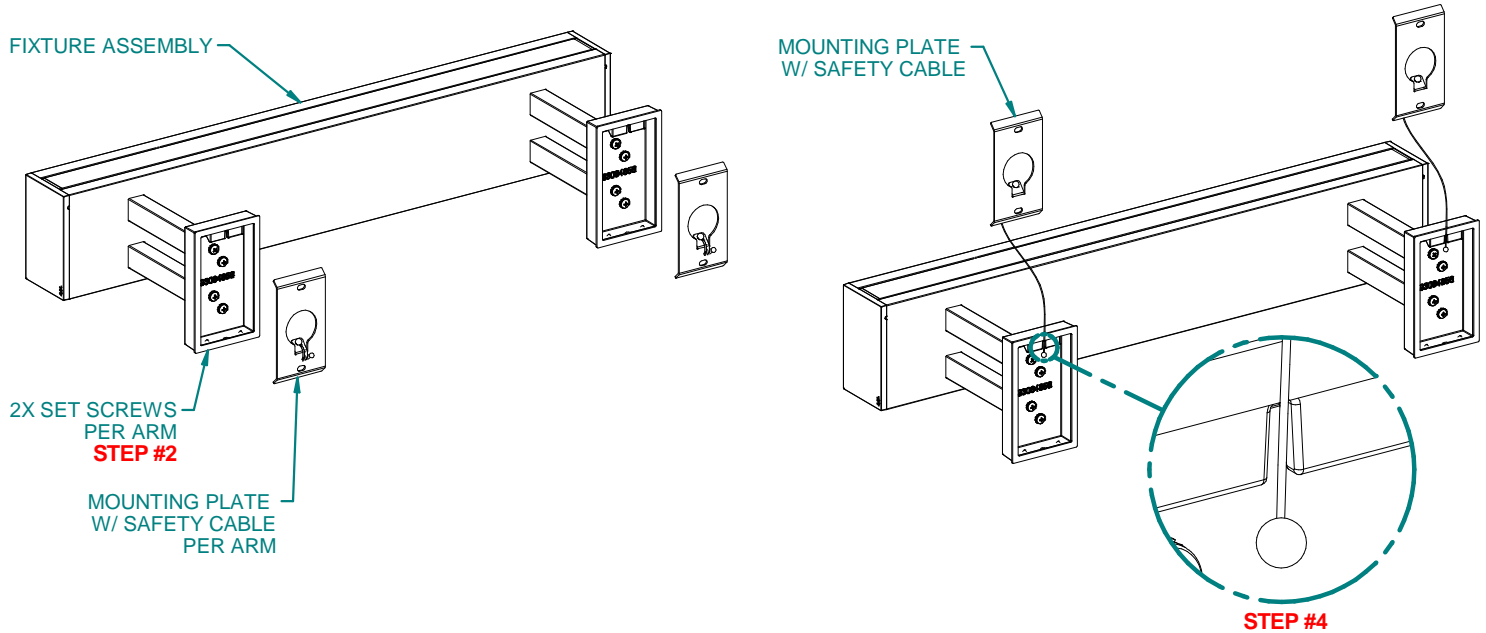
Fixture: RN-D / RN-UD PURSUIT™



WARNING: Fixtures must be grounded in accordance with local codes or the National Electrical Code. Failure to do so may result in serious personal injury.

MAINTENANCE: A regularly scheduled maintenance program should be established to retain optimum light output and reduce heat retention. Dusting with a soft, clean, dry cloth is normally sufficient for the optics.

CAUTION: All wiring must be done by a qualified electrician. KEEP THE INSTRUCTIONS FOR FUTURE REFERENCE.

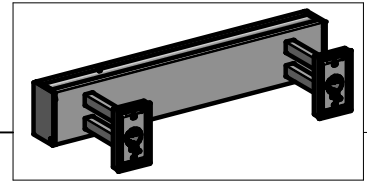


RECOMMENDED TOOL'S (BY OTHERS):

- * Allen wrench 5/64
- * Drill
Drill bit (pending mounting hardware size)
- * Level
- * Tape measure
- * Screw driver (Philip / Blade)
- * Wire Striper

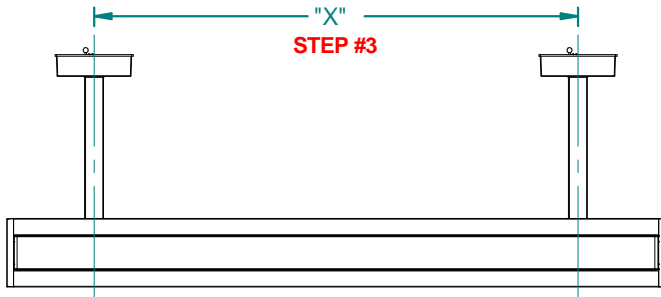
STEPS:

- 1) Turn off power to the unit and take proper safety precautions.
- 2) Remove mounting plate(s) from the fixture assembly.
Loosen (2) x 8-32 set screws with 5/64 Allen in the arm cover to access the mounting plate. Repeat for the other arm.
- 3) Secure the mounting plates to the wall using proper hardware (by others) depending on the wall material.
- 4) Hook up the safety cables to the fixture arms and let the fixture hang to free up your hands.
- 5) Wire fixture to the incoming lines per local code and tuck the wires into the J-box.
- 6) Install the arm covers over the mounting plates and secure with (4) x 8-32 screws.
- 7) Check for mounting security and turn on power to check for operation.
- 8) Installation complete.



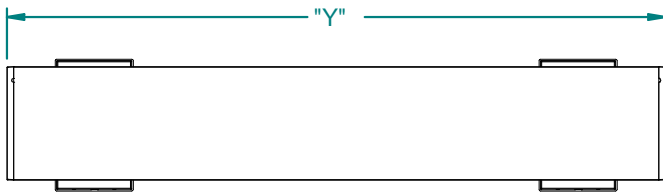
FIXED ARM MOUNT

Fixture: RN-D / RN-UD PURSUIT™

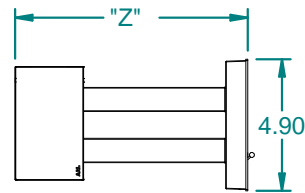


TOP VIEW

FIXED ARM MOUNT		
FIXTURE	"X"	"Y"
2ft	18"	24.50
3ft	30"	36.50
4ft	42"	48.50
6ft	66"	72.50
8ft	90"	96.50

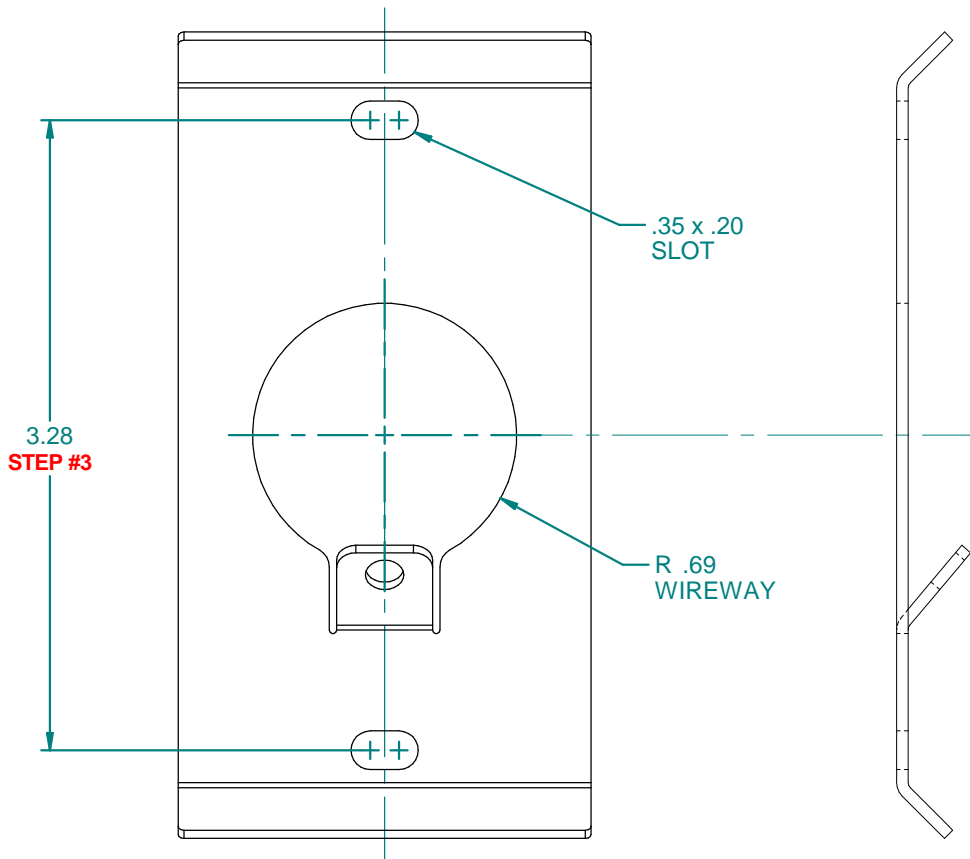


FRONT VIEW



SIDE VIEW

FIXED ARM MOUNT	
"Z"	
5.65"	
8.65"	
14.65"	



**FRONT VIEW
MNTG PLT FULL SCALE
(DETAIL)**

**SIDE VIEW
MNTG PLT**